

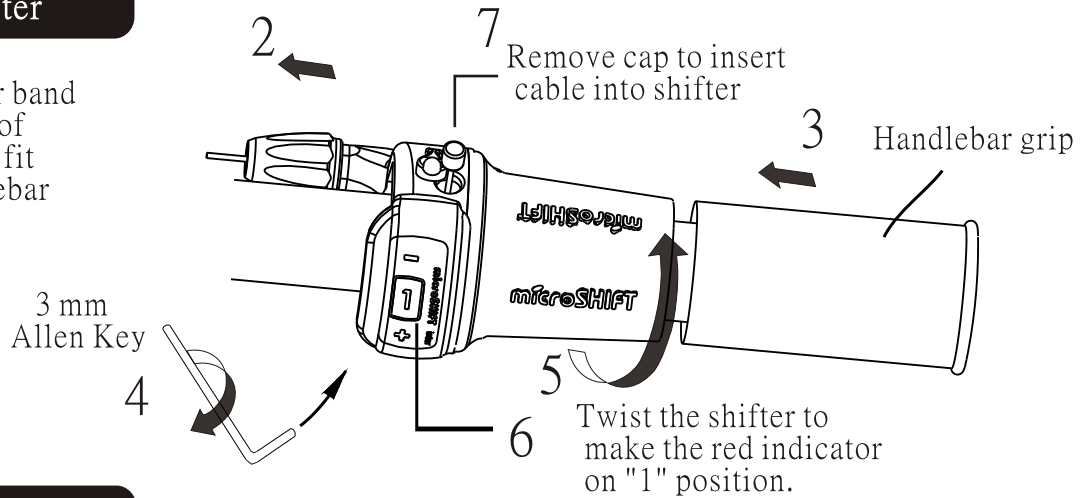
microSHIFT AD-II ENGINEERING INC.

Compatible with Shimano Internal Gear Hub

(NEXUS INTER-8 INTER-7)

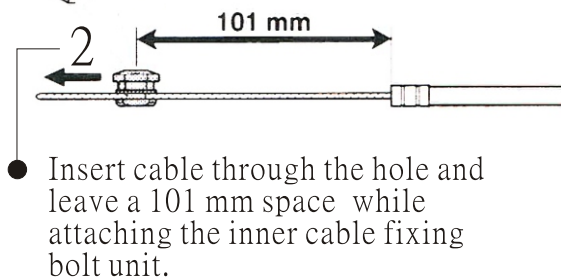
Installing the shifter

- 1 Use a brake lever band with a thickness of 5 mm or less and fit lever onto handlebar first.



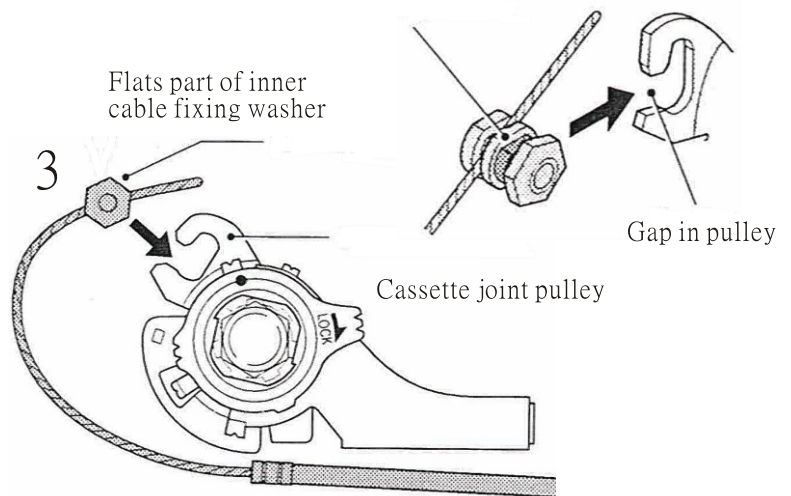
Installing the cable

- Inner cable fixing nut
- Inner cable fixing washer
- Inner cable fixing bolt



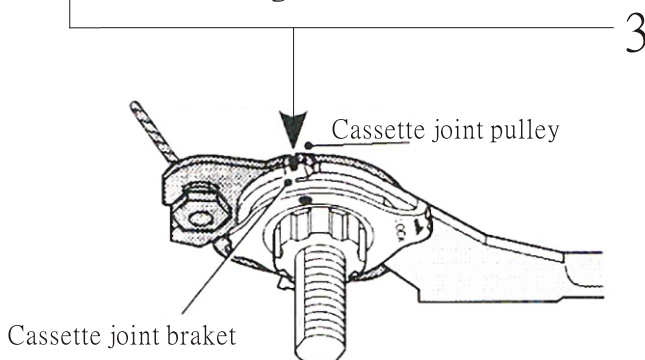
- Tightening torque:
4-6 Nm(35-52 In.lbs.)

- 1 Confirm the red indicator on "1"



Adjusting the cassette joint

- Turn the adjusting barrel to make the red setting lines be straight



- 2 Twist the shifter to set the red indicator on "4" position.

