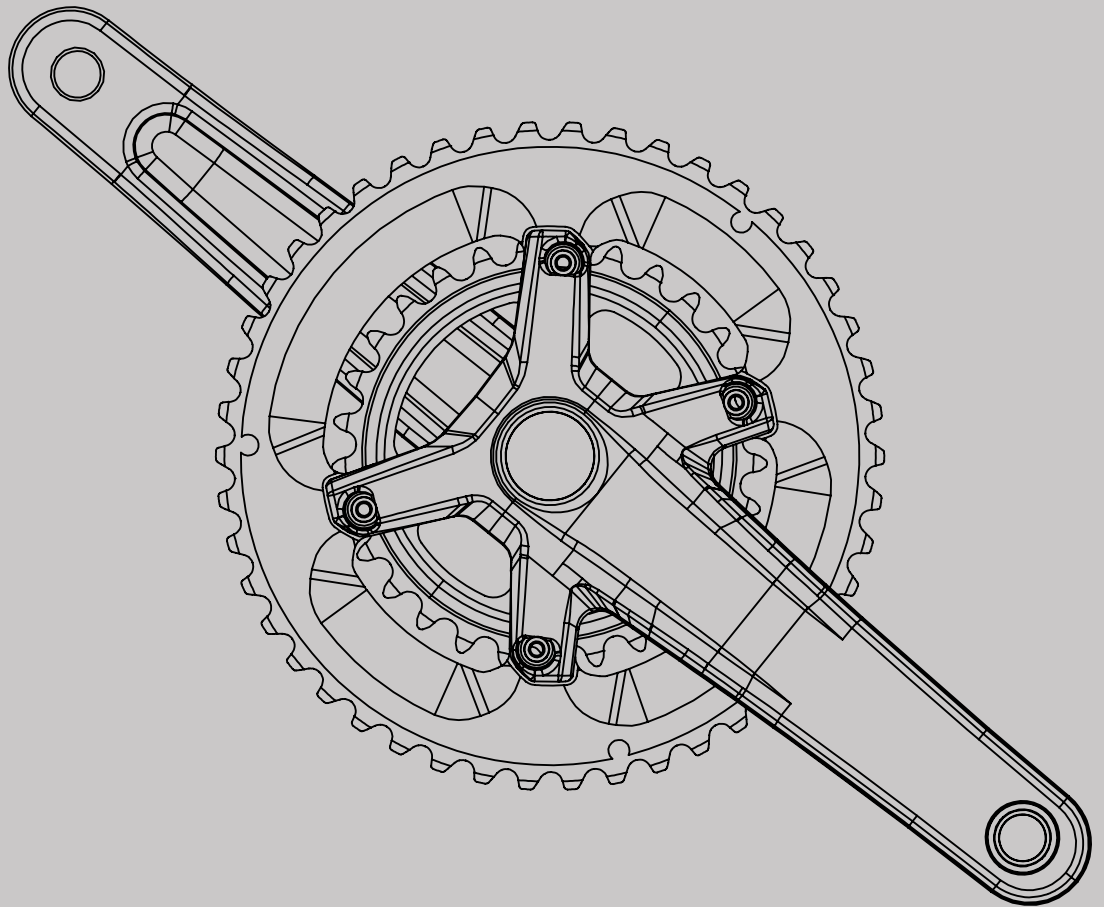


microSHIFT

SWORD Chaining Replacement Manual

† SWORD



Important Notice

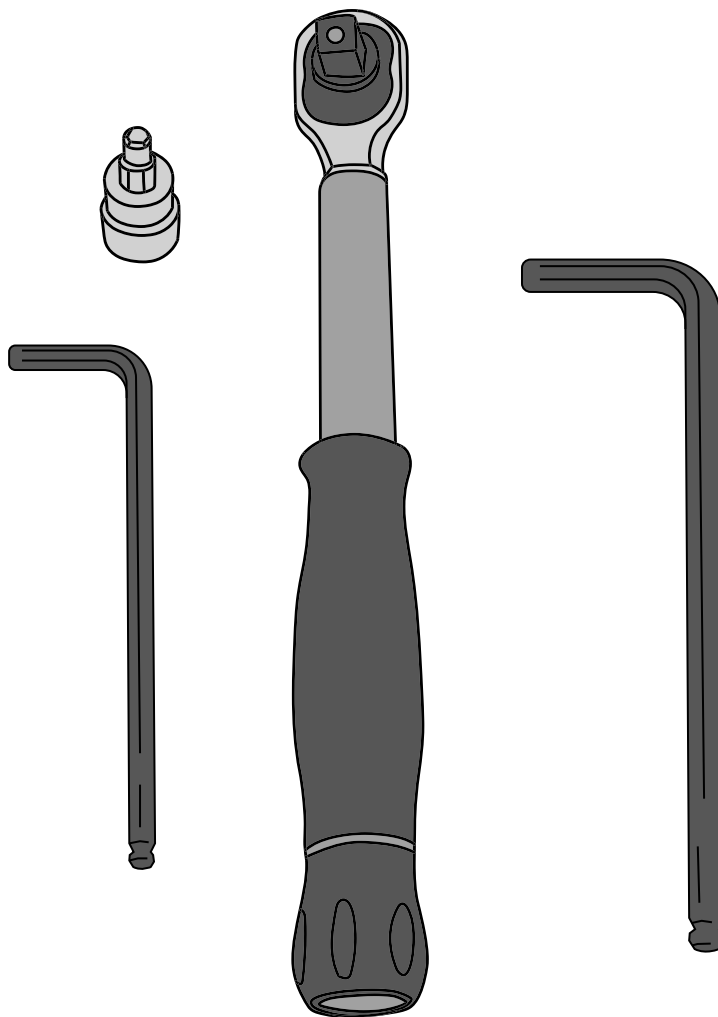


REMINDER

Before installing the products, please read and understand the installation procedures. Improper installation can lead to premature product failures or even injuries. If you have any questions on how to install, please contact us or consult with a professional bicycle mechanic.

Tools and Supplies

- Torque Wrench
- 5mm Hex Bit
- 5mm Hex Wrench
- 8mm Hex Wrench

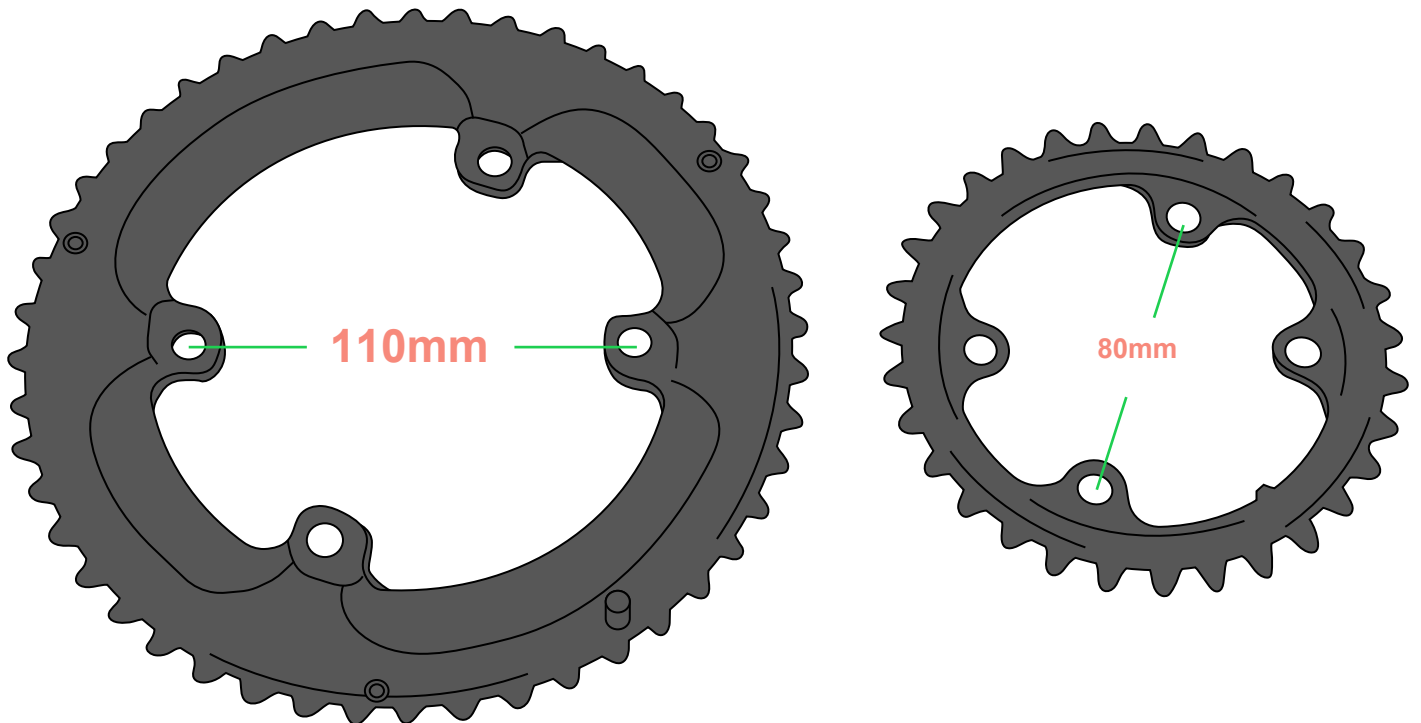


Tools and Supplies

The SWORD crankset is compatible with 110mm and 80mm asymmetric BCD chainrings.

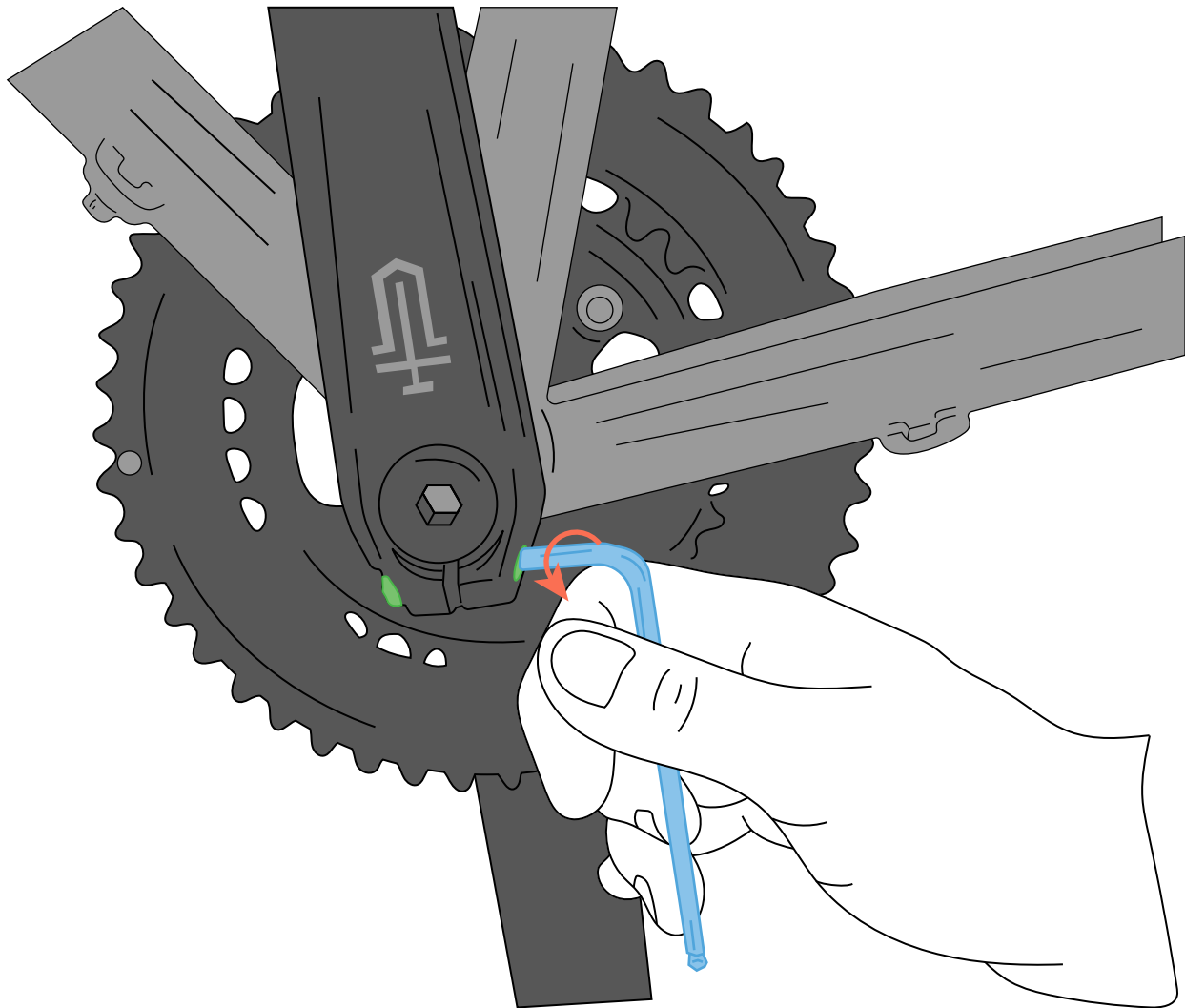
You can use the same crank for a 1x or 2x setup.

For a 1x setup, use self swapping from a 2x to 1x setup, use a 110 BCD narrow wide style chainring and mount it on to replace the outer ring position.



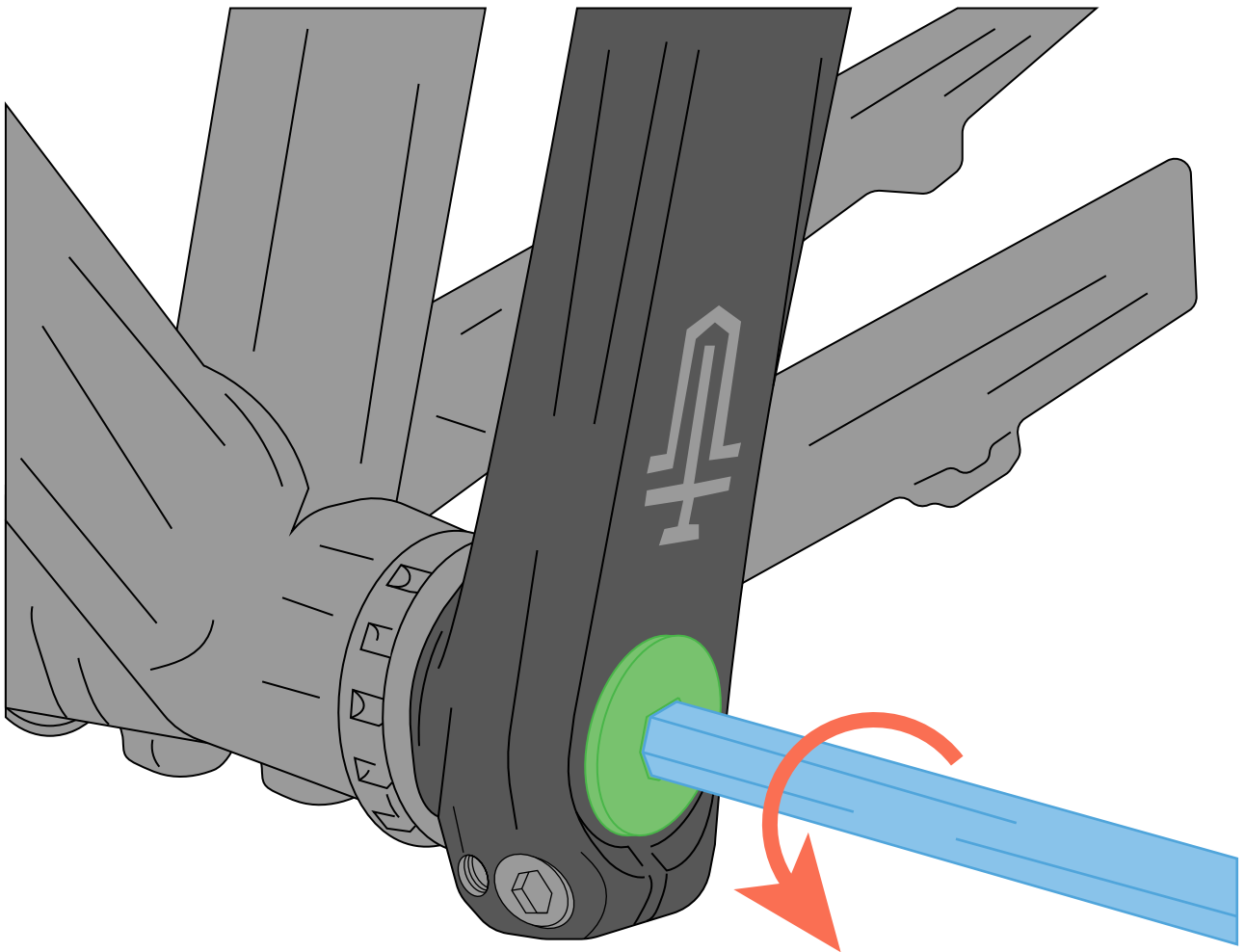
1.

Unthread the **pinch bolts** on the left crank arm a few turns with a **5mm hex wrench**.



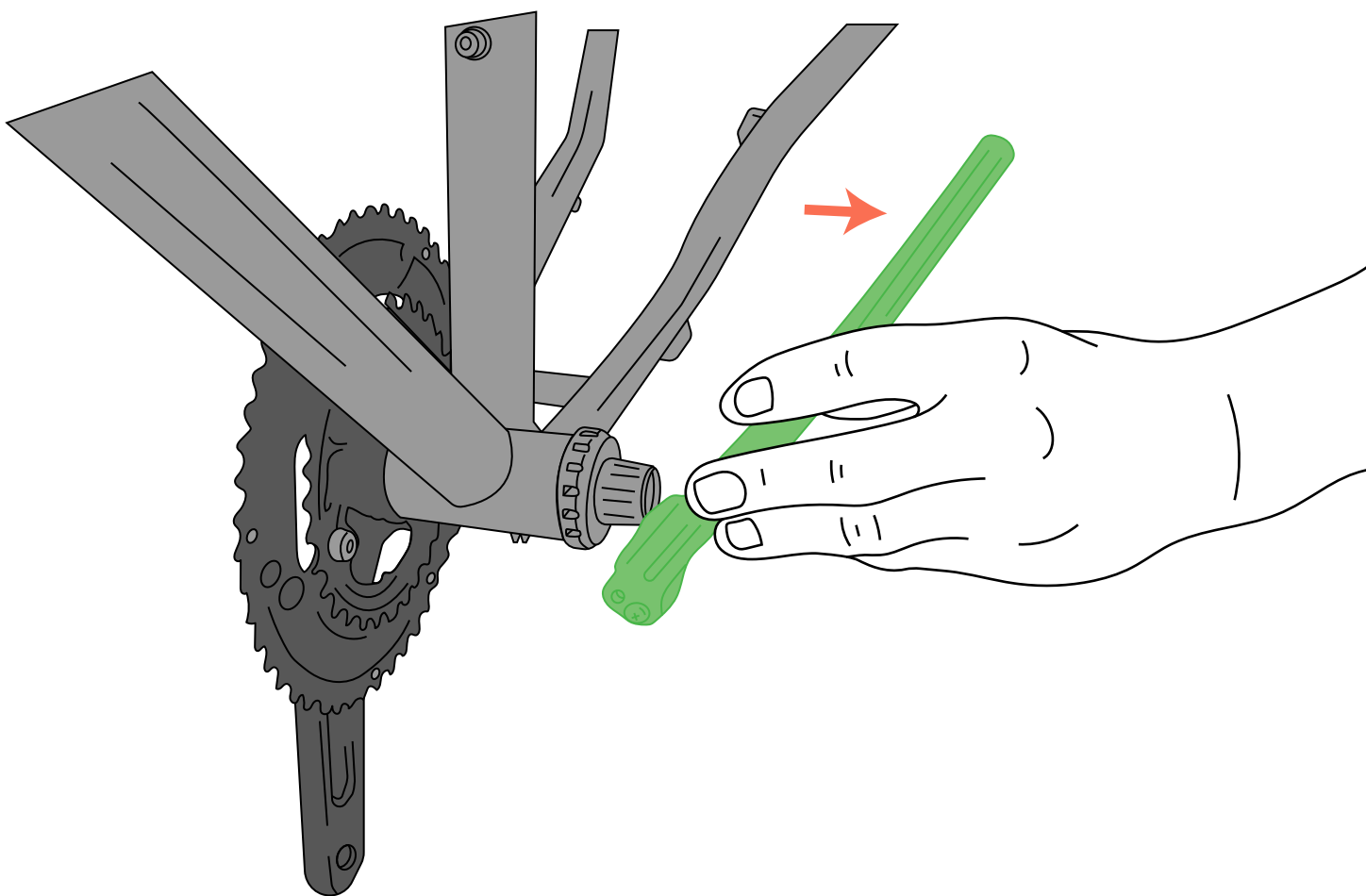
2.

Remove the **preload bolt** with an **8mm hex wrench**.



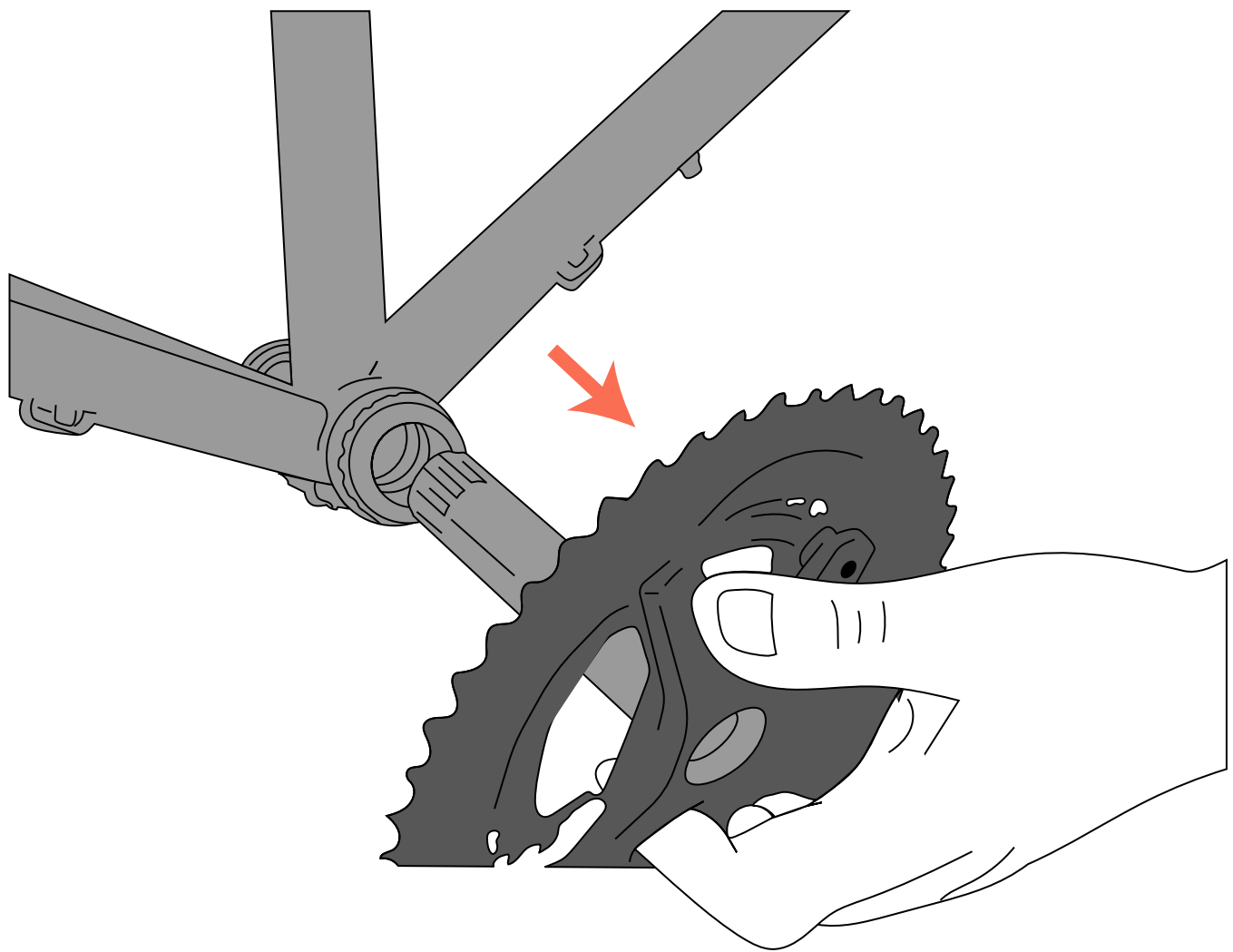
3.

Remove the left crank arm from the spindle.



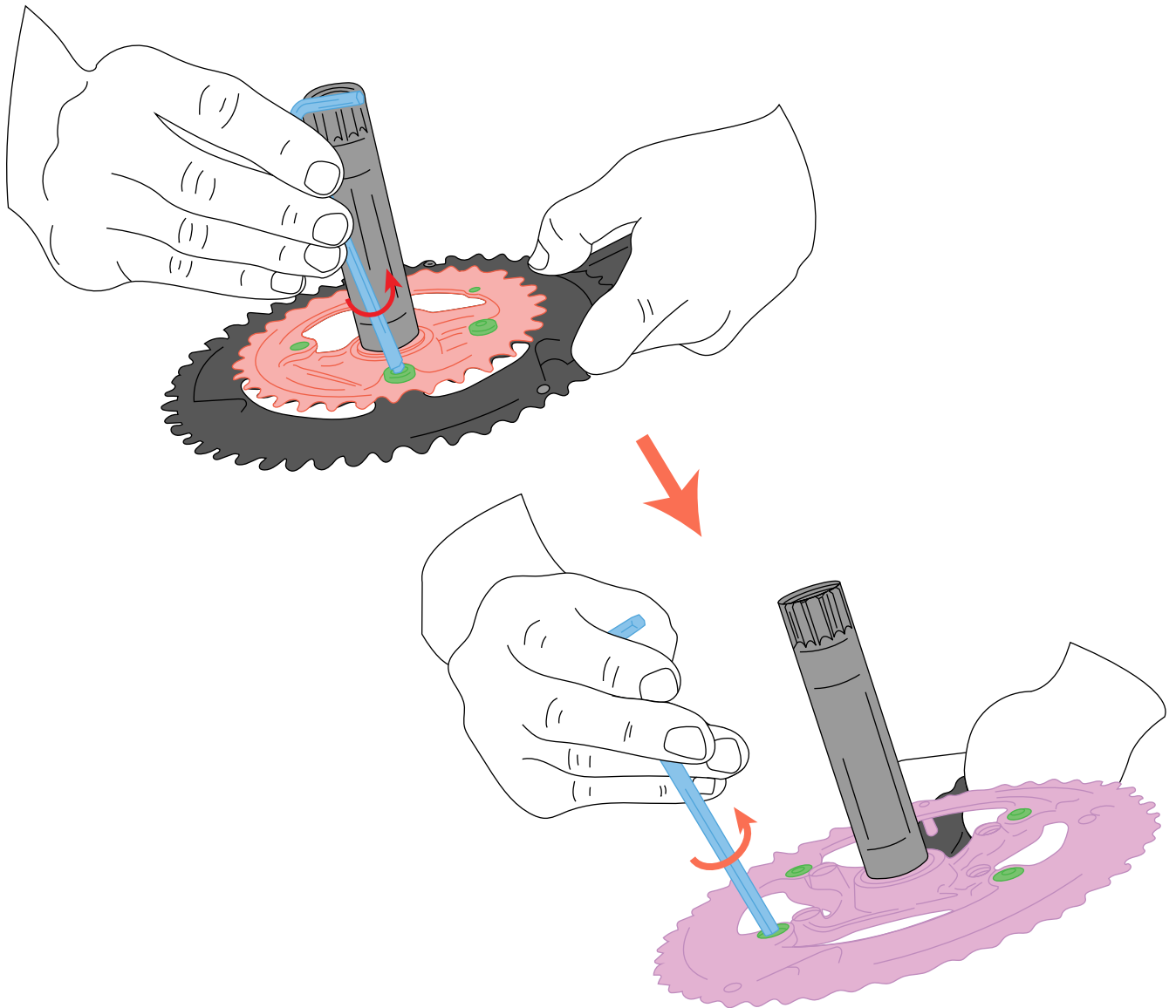
4.

Slide the spindle and chainrings out of the bottom bracket.



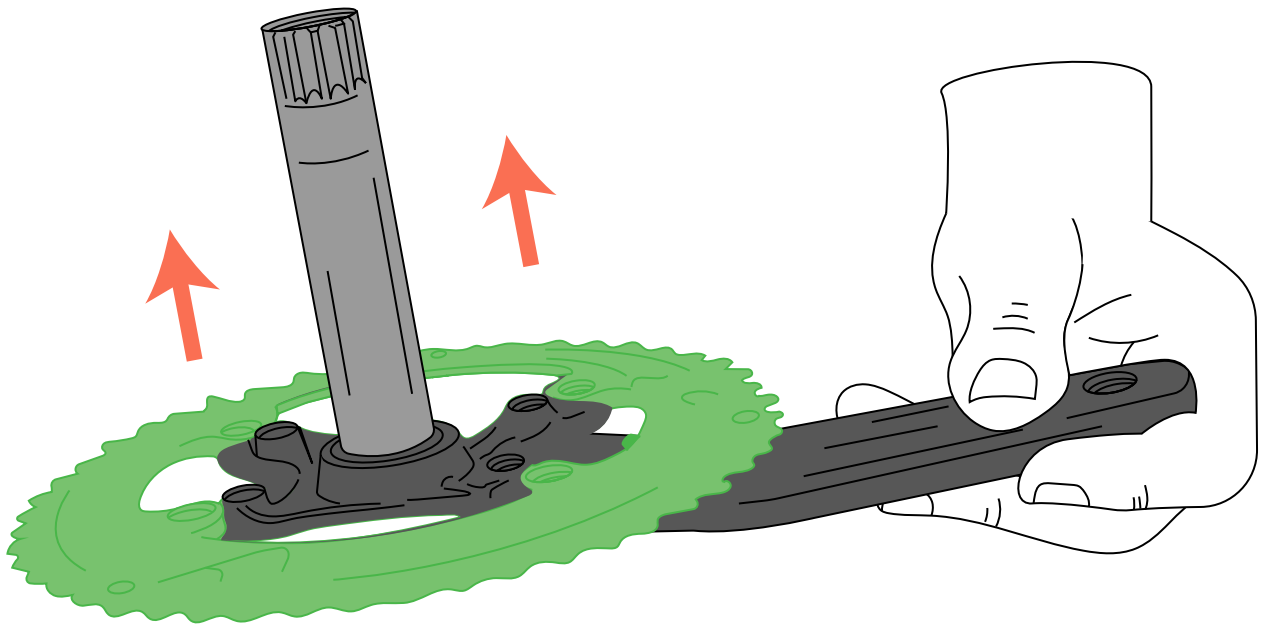
5.

Unthread the **chainring bolts** with a **5mm hex** wrench. Start with the **inner chainring** and then the **outer chainring**.



6.

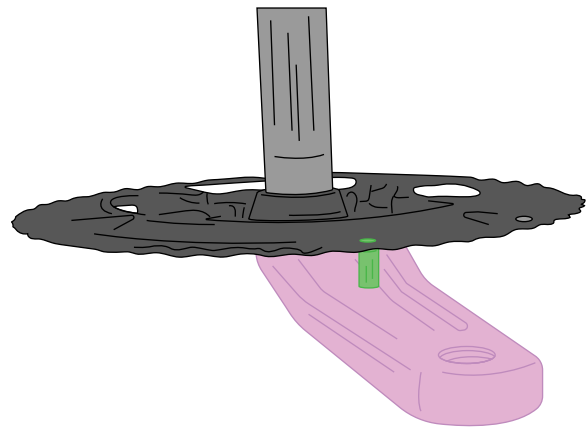
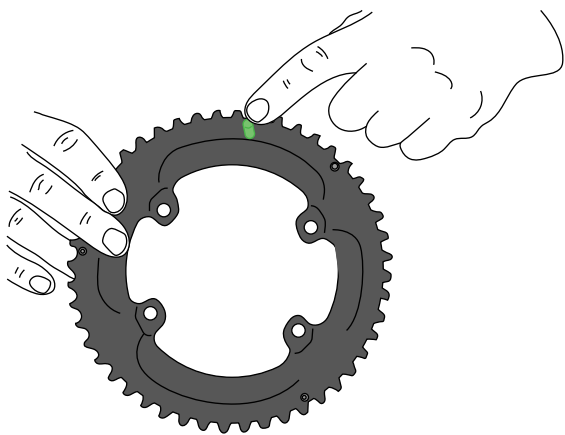
Remove the **chainrings**.



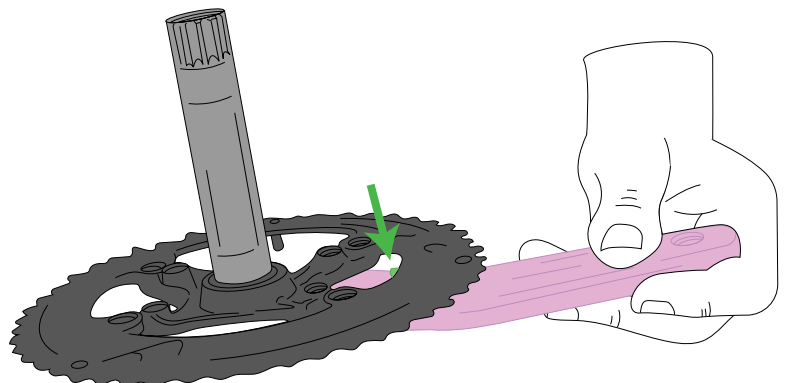
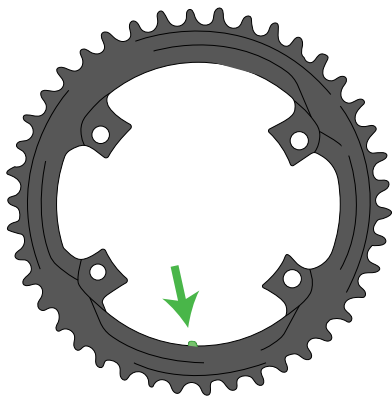
7.

Install the outer chainring. Make sure **the pin or tab** on the outer side of the chainring is in line with **the crank arm**.

2x

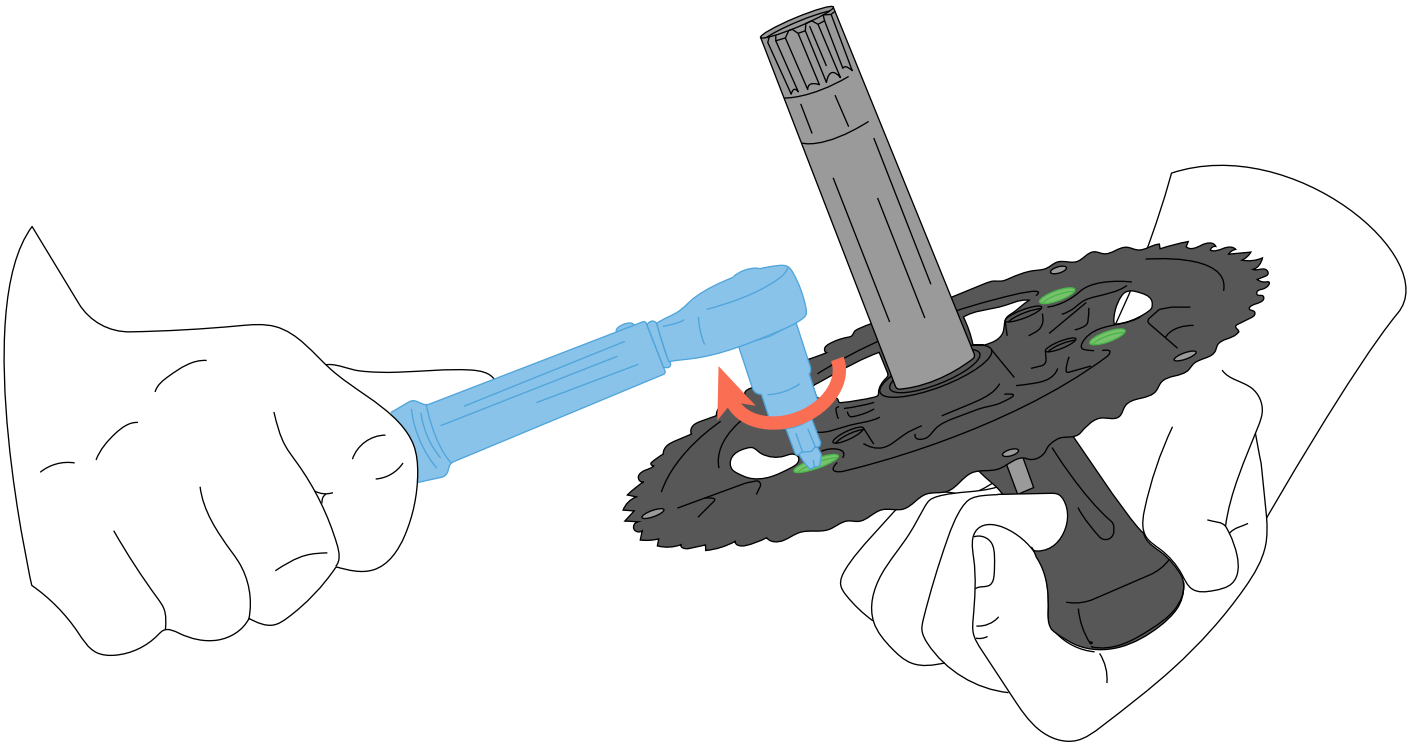


1x



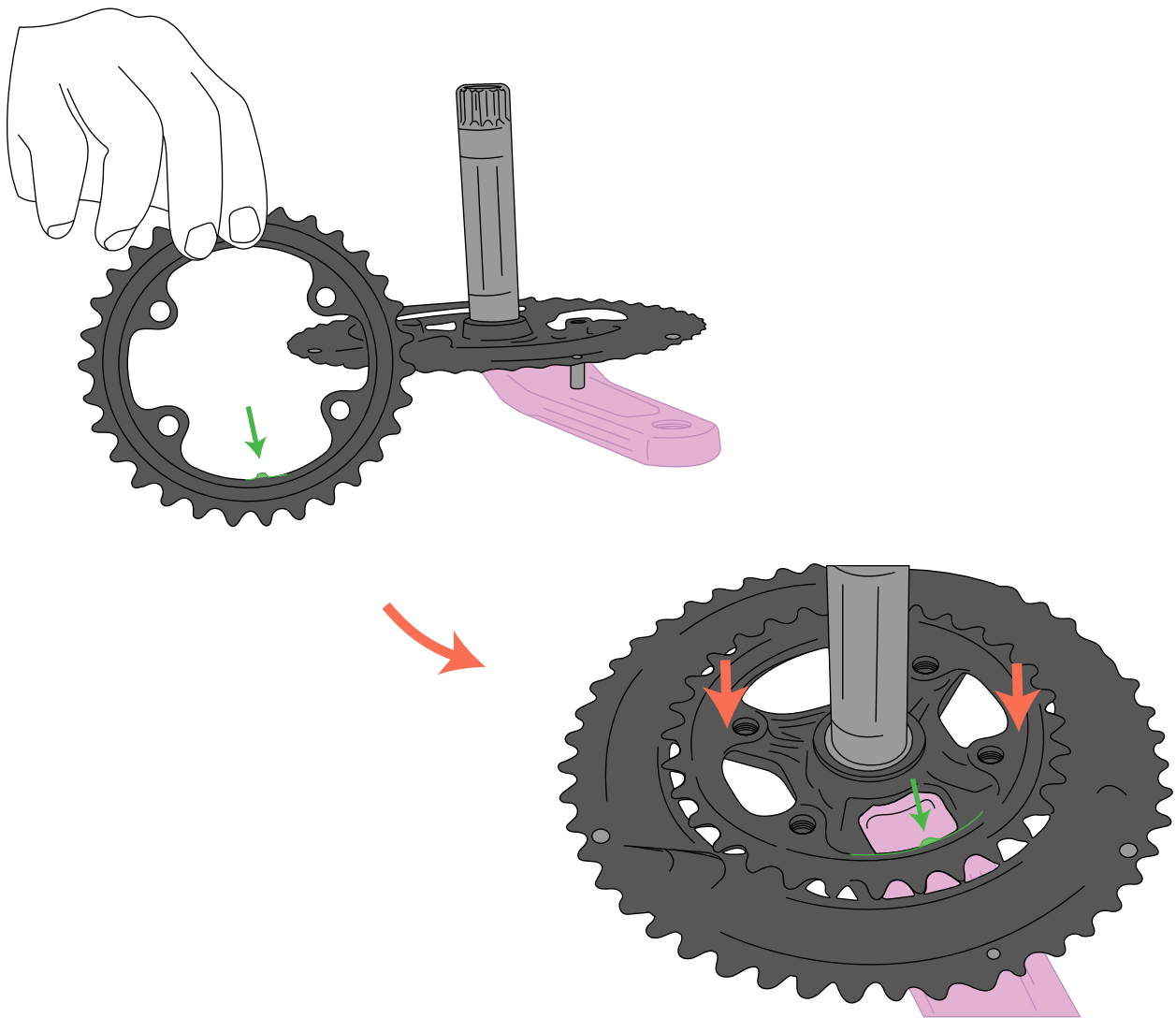
8.

Install the bolts and torque to 10-14Nm.



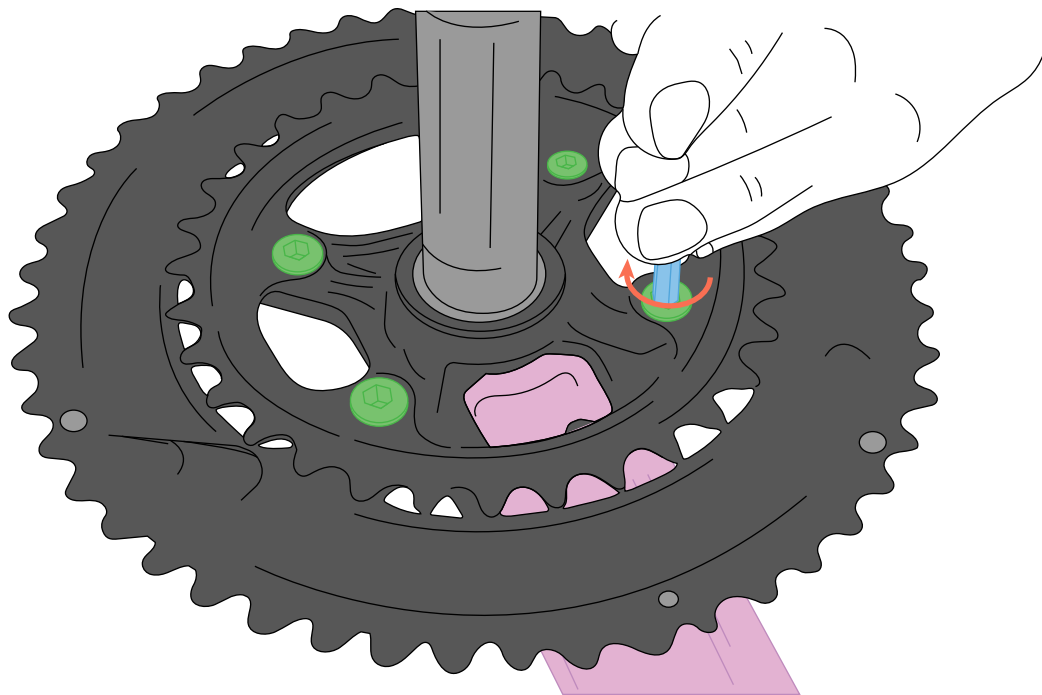
9.

If using a 2x crank, install the inner chainring. Make sure the **raised tab** on the inner ring sits in line with the crank arm.



10.

Install the bolts and torque to 10-14Nm. From here re-install the crankset according to the SWORD Crank Installation Manual.



microSHIFT



www.microSHIFT.com