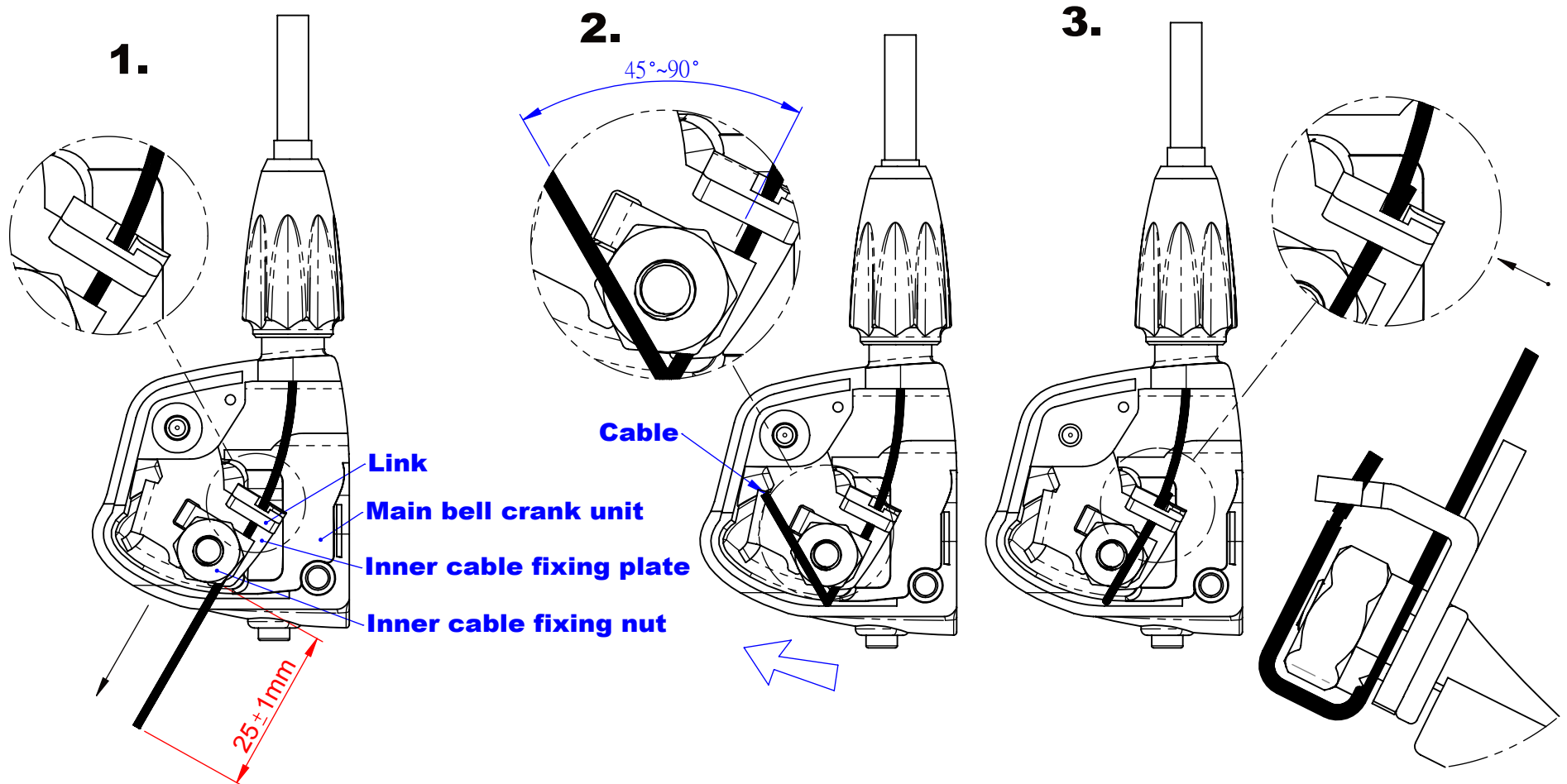


N3 shifter and bell crank with a almost same assembling way with Shimano, they are different on the step of cutting off excess inner cable .

Following for your reference :



1. Push the inner cable fixing plate to touch to the left wall of main bell crank body. (Fig. 1)
2. Loosen the inner cable fixing nut, pass the inner cable through the groove on the link and then put the cable stay between the link and the inner cable fixing plate.
3. Tighten the inner cable fixing nut. (Tightening torque 4~6 Nm / 40~60 kgfcm)
4. Cut off excess inner cable longer than $25 \pm 1\text{mm}$.
5. Bend the inner cable to the left side in an angle of $45^\circ \sim 90^\circ$ (Fig. 2) and insert into the groove of link. (Fig. 3)