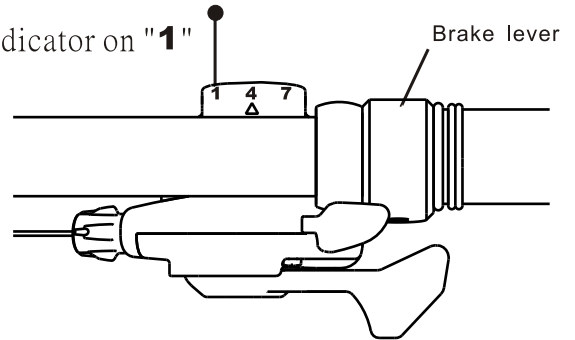


microSHIFT AD-II ENGINEERING INC.

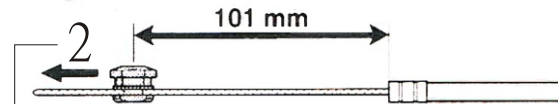
Compatible with Shimano Internal Gear Hub
(NEXUS INTER-7)

Installing the cable

1 Confirm the red indicator on "1"

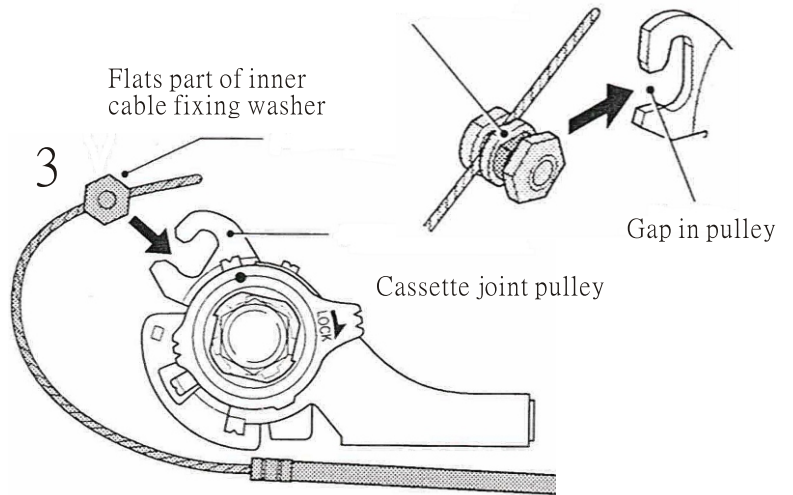


- Inner cable fixing nut
- Inner cable fixing washer
- Inner cable fixing bolt



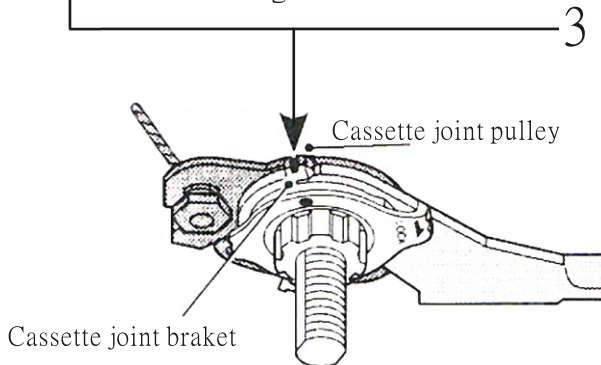
2 Insert cable through the hole and leave a 101 mm space while attaching the inner cable fixing bolt unit.

Tightening torque:
4-6 Nm(35-52 In.lbs.)



Adjusting the cassette joint

3 Turn the adjusting barrel to make the red setting lines be straight



Move the shifter to set the red indicator on "4" position.

